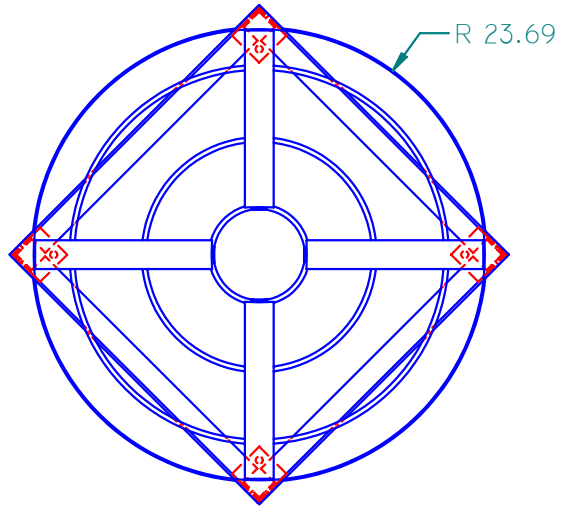
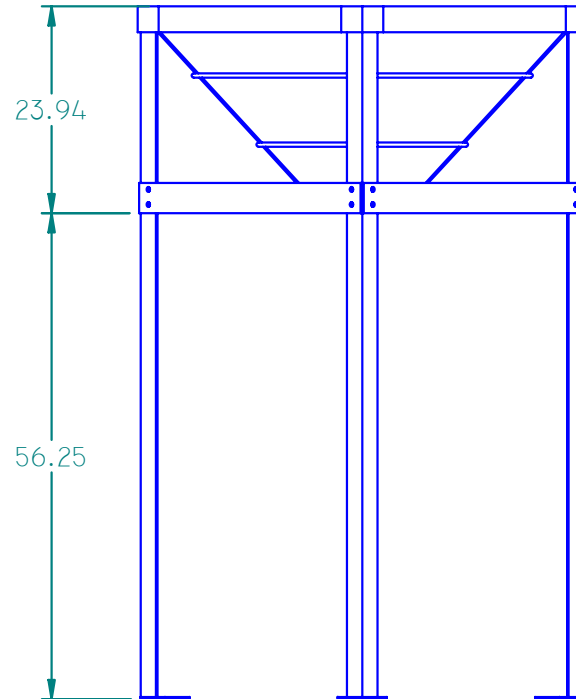


REVISION HISTORY

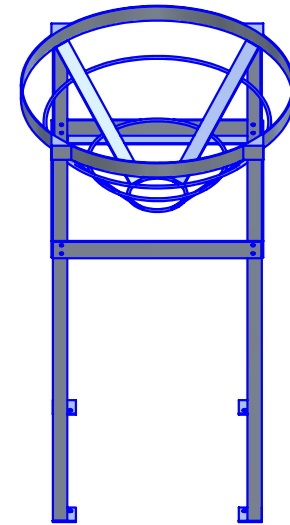
REV	DESCRIPTION	DATE	APPROVED



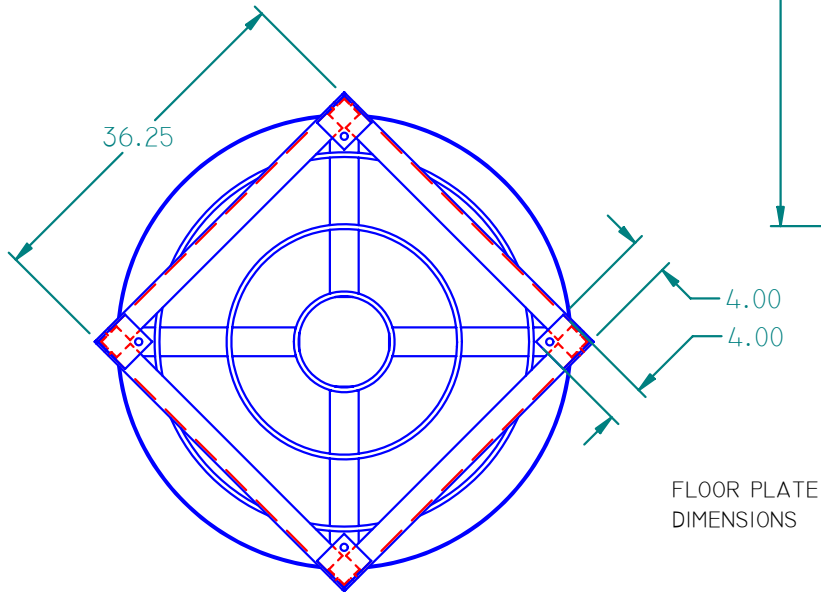
TOP VIEW



FRONT VIEW



ISO VIEW



BOTTOM VIEW

FLOOR PLATE DIMENSIONS

STANDARD DUTY 47" CONE
BOTTOM STAND FOR 930150,
930250, 930300, 930400,
930500, AND 930600 CONE
TANKS

WALL THICKNESS:

UNLESS OTHERWISE SPECIFIED
DIMENSIONS ARE IN INCHES
ANGLES ±0.5°
2 PL ±0.125" 3 PL ±0.060"

DURAWELD

Innovative Plastic Solutions

	NAME	DATE
DRAWN	MPUTT	8/4/2004
CHECKED		
ENG APPR		
MGR APPR		

TITLE 47" CONE STAND ASSY		
SIZE A	CARBON STEEL PAINTED	REV

930000 WEIGHT: 144.946 LBS SHEET 1 OF 4