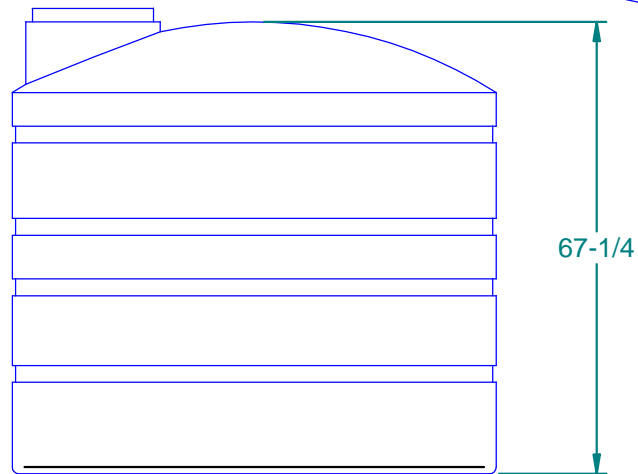
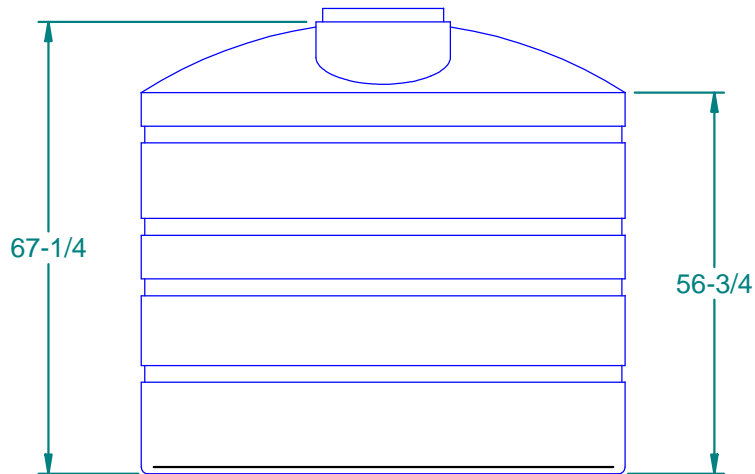
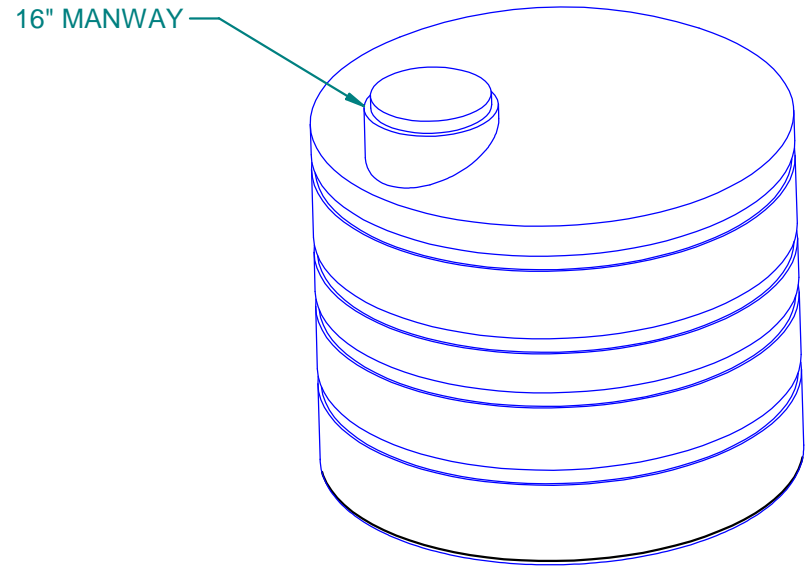
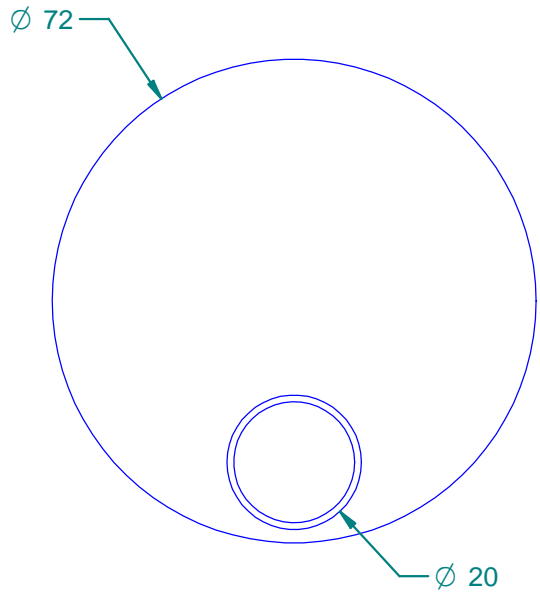


REVISION HISTORY				
REV	DESCRIPTION	DATE	APPROVED	Revised By
A	Initial Design Release	9/18/2007		



Weight: N/A		NAME	DATE
Wall Thickness: N/A	DRAWN By:	smconomy	9/18/2007
Customer Part No: N/A	Customer APPR		
Print Date: 9/18/2007	MFG APPR		
Comments:	Tolerance: UNLESS OTHERWISE SPECIFIED DIMENSIONS ARE IN INCHES ±1% Std Radii 3/16"		

DURAWELD
Innovative Plastic Solutions

Dura-Cast Products, Inc.

E-1100 Gallon Vertical Tank

V1100 (911100).dft

A	Material: Polyethylene, LMDPE 8460	Rev: A
911100		1 OF 1