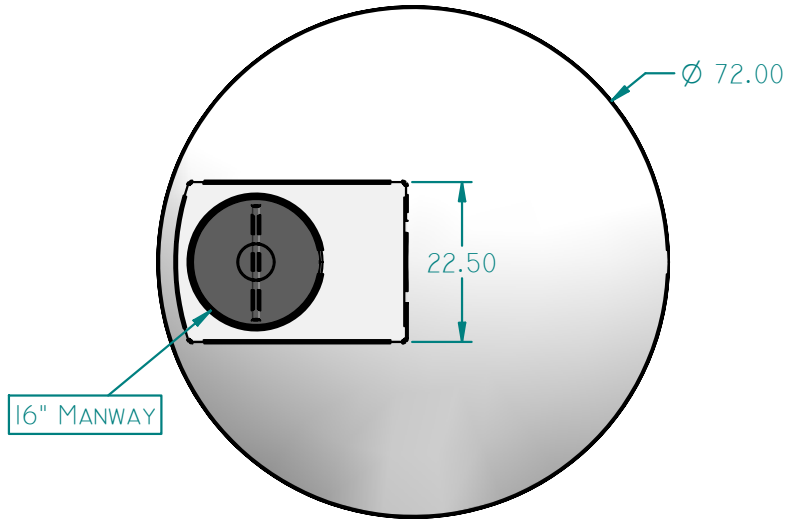


REVISION HISTORY			
REV	DESCRIPTION	DATE	APPROVED

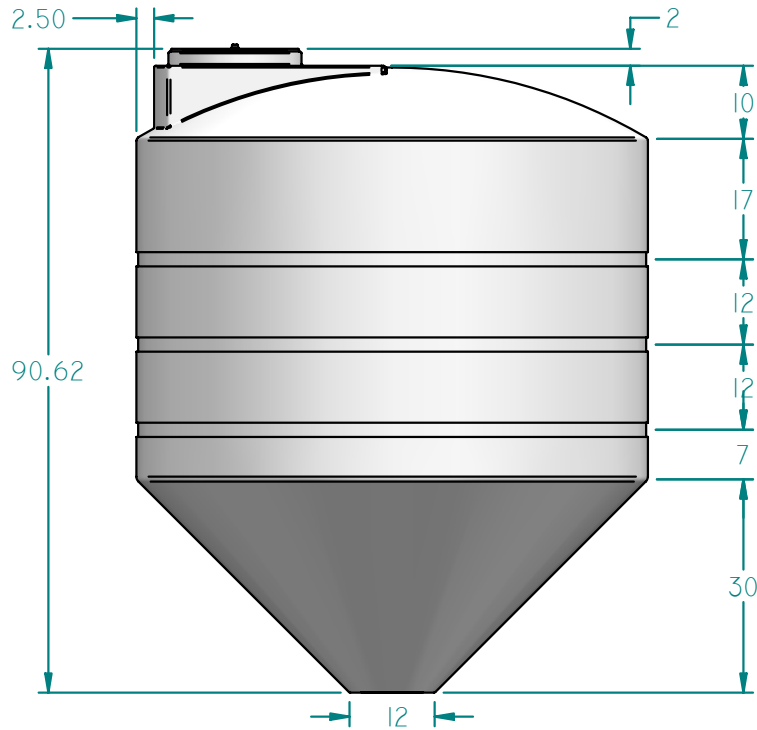


16" MANWAY

Ø 72.00

22.50

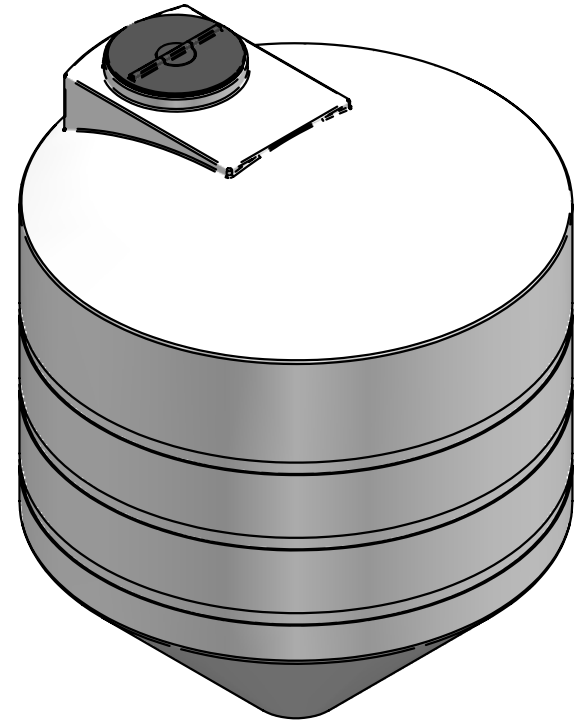
TOP VIEW




90.62

SIDE VIEW

WALL THICKNESS:



ISO VIEW

DRAWN		NAME	DATE	 <i>Innovative Plastic Solutions</i>
CHECKED				
ENG APPR				
MGR APPR				
UNLESS OTHERWISE SPECIFIED DIMENSIONS ARE IN INCHES ANGLES ±0.5° 2 PL ±0.125" 3 PL ±0.060"				TITLE I100 GALLON CONE TANK 1.2 SPG SIZE A HDPE NATURAL REV .250"
931100	WEIGHT: 197.071 LB	SHEET 1 OF 1		