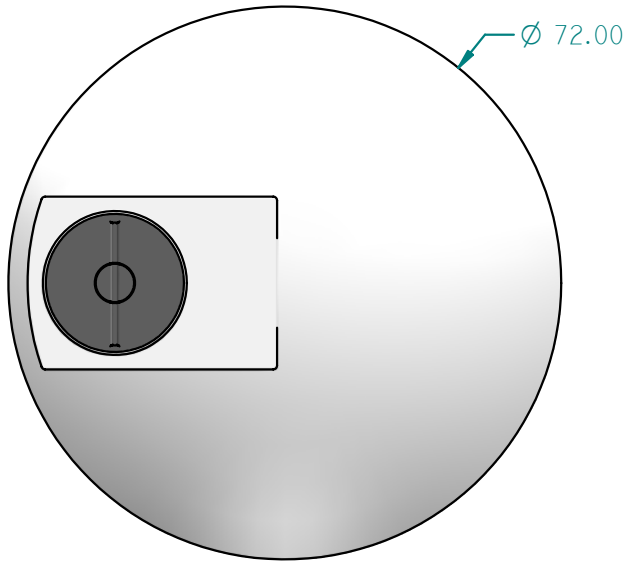
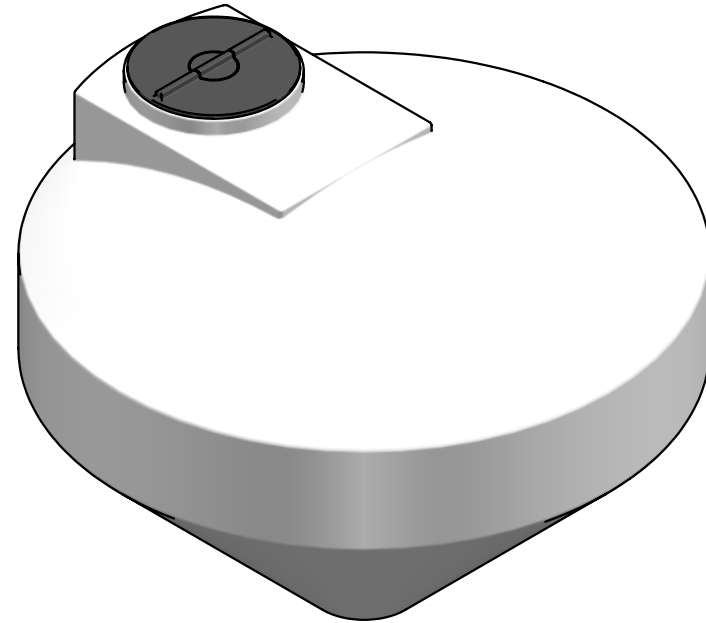


REVISION HISTORY

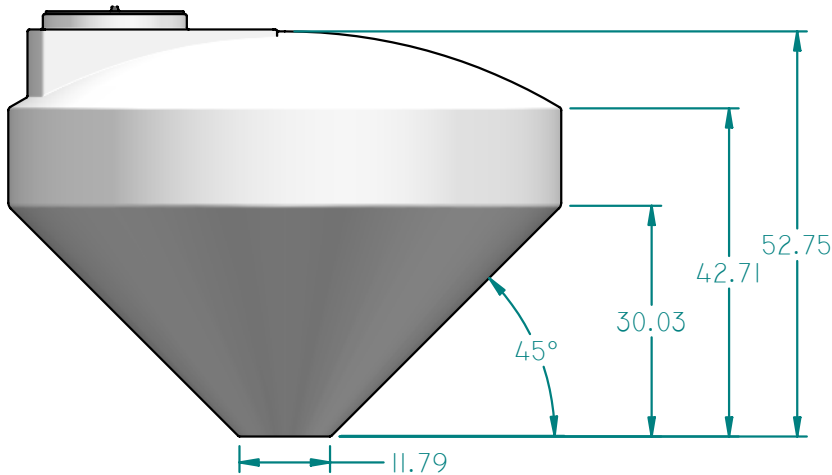
| REV | DESCRIPTION | DATE | APPROVED |
|-----|-------------|------|----------|
| | | | |



TOP VIEW




ISO VIEW



SIDE VIEW

WALL THICKNESS:

| | | | | | |
|---|--|------------------|------|--|----------------------|
| DRAWN | | NAME | DATE |  <i>Innovative Plastic Solutions</i> | |
| CHECKED | | | | | |
| ENG APPR | | | | TITLE | 500 GALLON CONE TANK |
| MGR APPR | | | | SIZE | A |
| UNLESS OTHERWISE SPECIFIED DIMENSIONS ARE IN INCHES ANGLES ±0.5° 2 PL ±0.125" 3 PL ±0.060" | | | | HDPE NATURAL 1.2 SPG | REV |
| 930500 | | WEIGHT:0.000 LBM | | SHEET 1 OF 1 | |