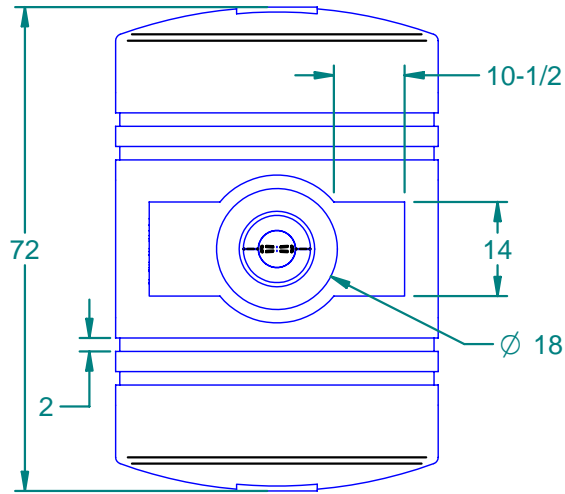
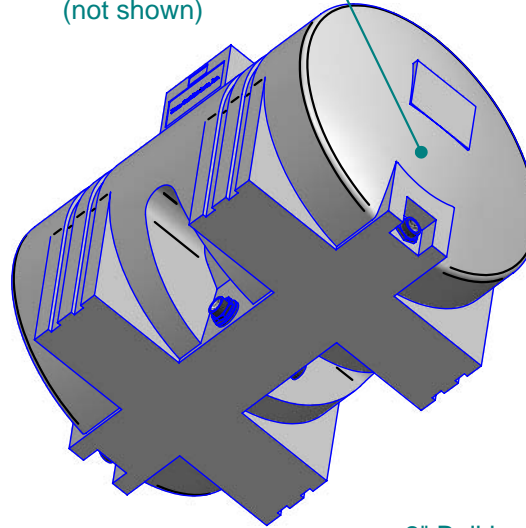


REVISION HISTORY

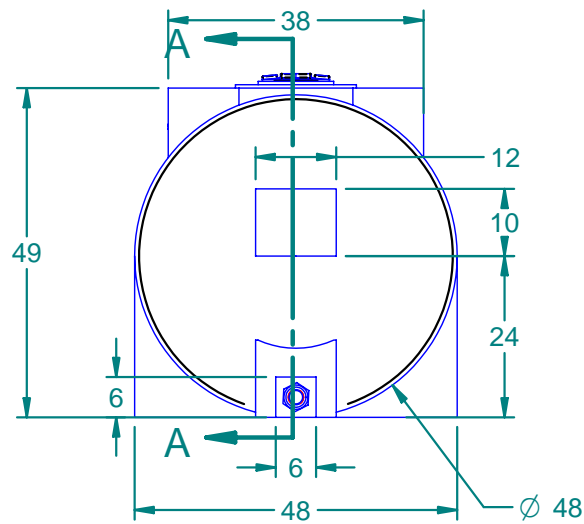
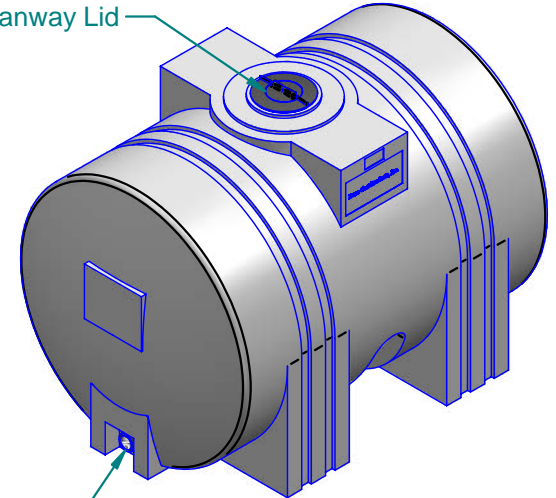
REV	DESCRIPTION	DATE	APPROVED



Gallons Calibration  
25 Gal Intervals  
Typical Both Ends  
(not shown)

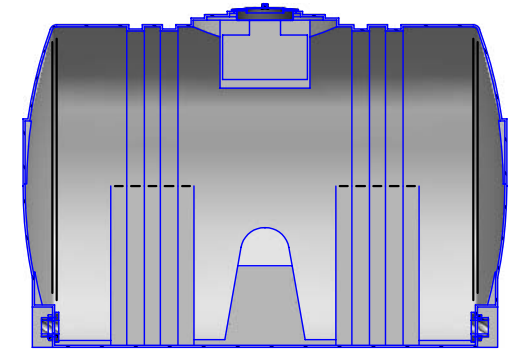
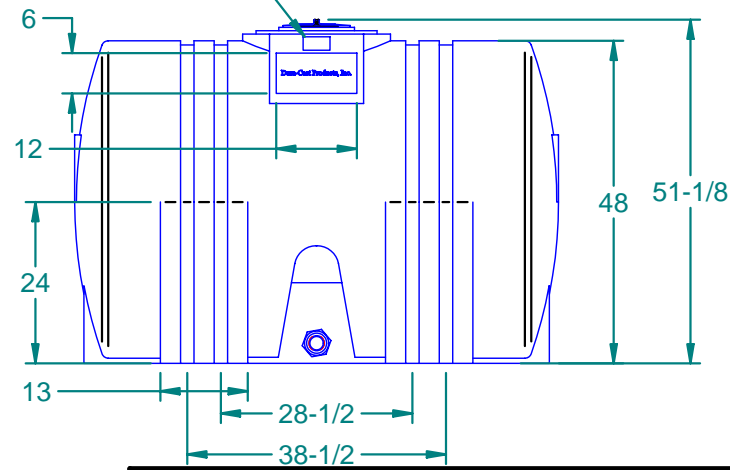


8" Manway Lid



Dura-Cast Label

2" Bulkhead Fitting



SECTION A-A

Weight:		NAME	DATE		
Wall Thickness:	DRAWN				
Customer Part No.:	By:				
Print Date:	Customer APPR				
Comments:	MFG APPR				
	Tolerance:			Material:	Rev: