

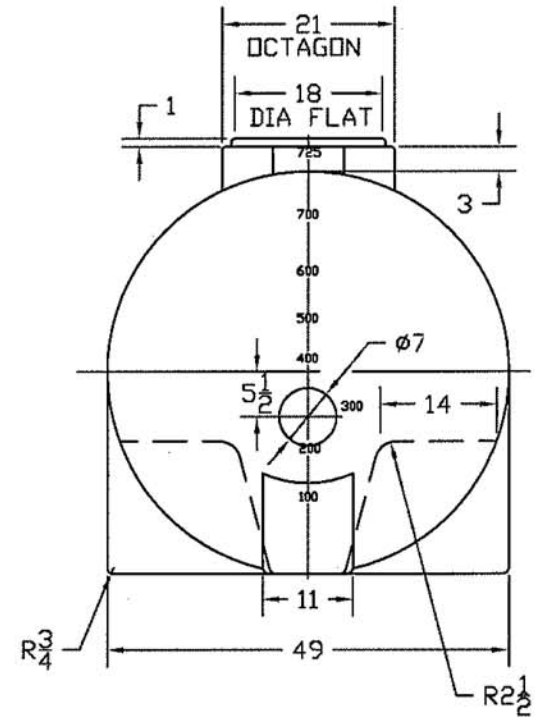
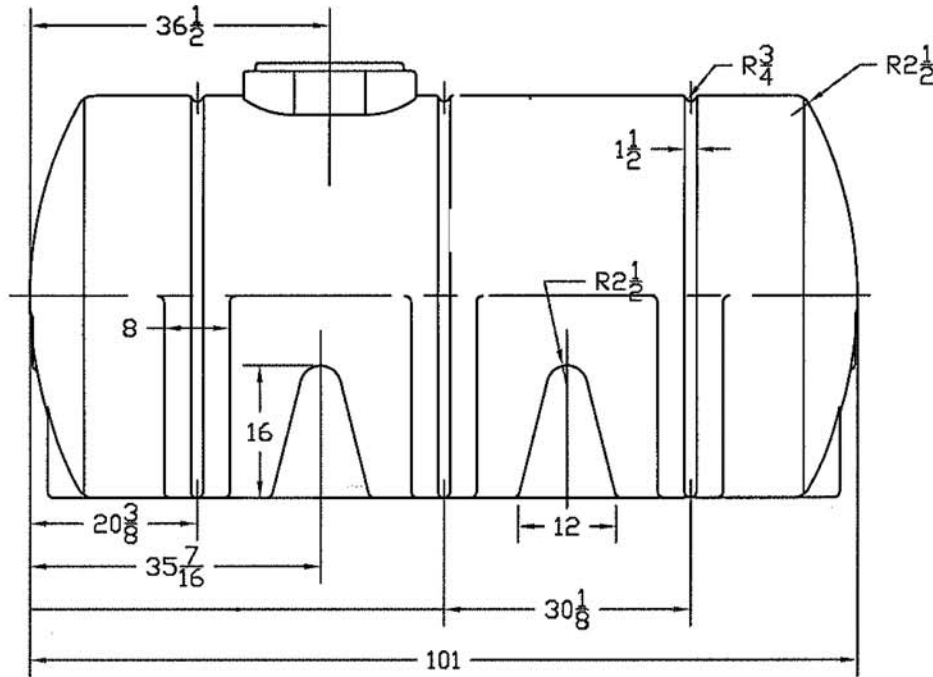
Tank plastic resin is fully FDA compliant based upon manufacturer's specifications

Tank resins are fully UV stabilized

Allow +/- 1% on tank dimensions for overall size variances

REVISION HISTORY

REV	DESCRIPTION	DATE	APPROVED



DURAWELD

Innovative Plastic Solutions

Tank Capacity: 725 Gallons

	NAME	DATE
DRAWN		
CHECKED		
ENG APPR		
MGR APPR		

TITLE Horizontal Leg Tank

SIZE	MATERIAL: LMDPE Natural	REV
A		

Part #: 920725

Wall Thickness:

UNLESS OTHERWISE SPECIFIED
DIMENSIONS ARE IN INCHES
ANGLES ±0.5°
2 PL ±0.125" 3 PL ±0.060"

WEIGHT:

SHEET 1 OF 1