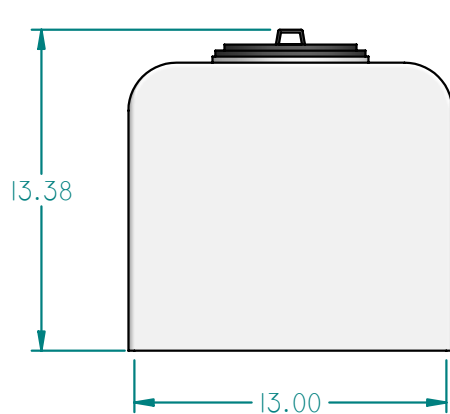
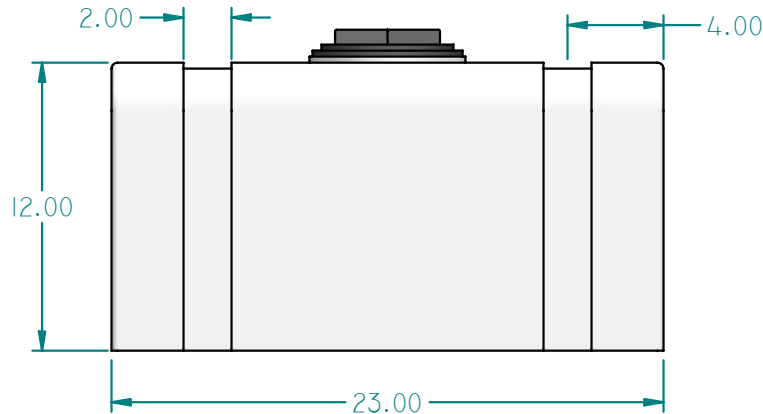


TOP VIEW



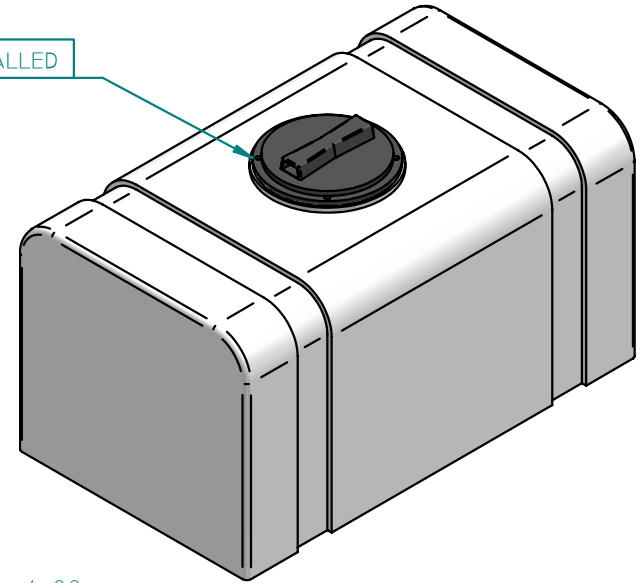
END VIEW



SIDE VIEW

REVISION HISTORY			
REV	DESCRIPTION	DATE	APPROVED

4" ACCESS INSTALLED  
ON CENTER



ISO VIEW

WALL THICKNESS: .200"

TANK CAPACITY: 15 GALLONS		
	NAME	DATE
DRAWN	MPUTT	3/2/2005
CHECKED		
ENG APPR		
MGR APPR		

**DURAWELD**  
*Innovative Plastic Solutions*

TITLE 15 GALLON LOAF TANK		
SIZE A	HDPE NATURAL	REV

UNLESS OTHERWISE SPECIFIED DIMENSIONS ARE IN INCHES ANGLES ±0.5° 2 PL ±0.125" 3 PL ±0.060"		
920015	WEIGHT: 0.000 LBM	SHEET 1 OF 1