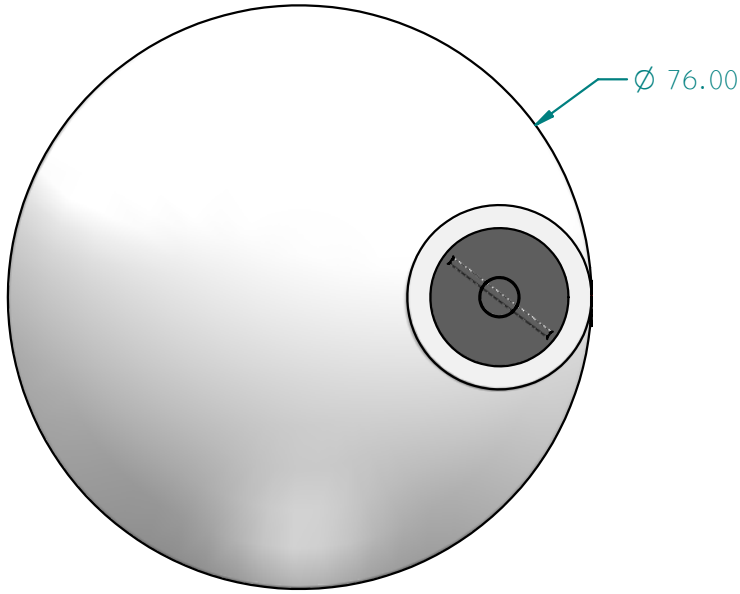
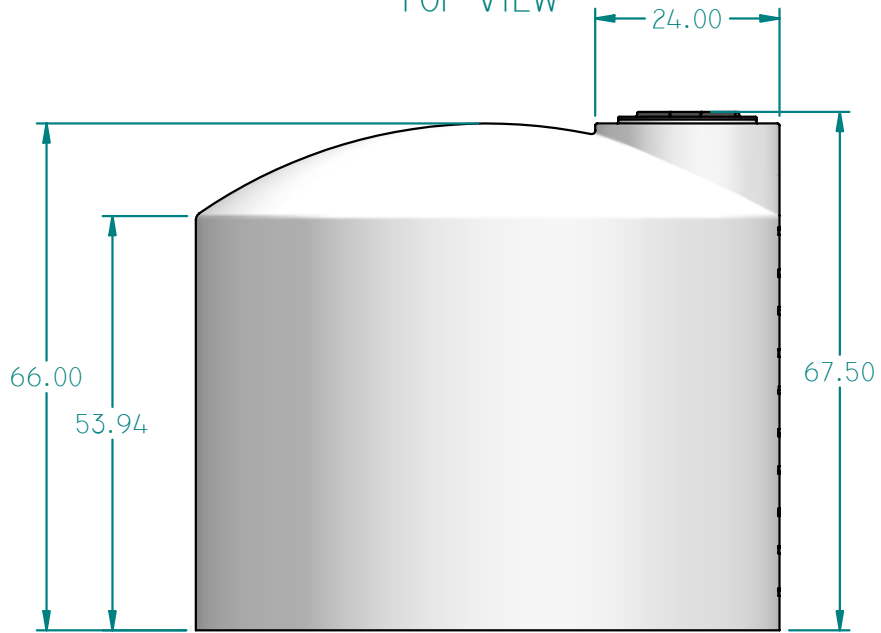


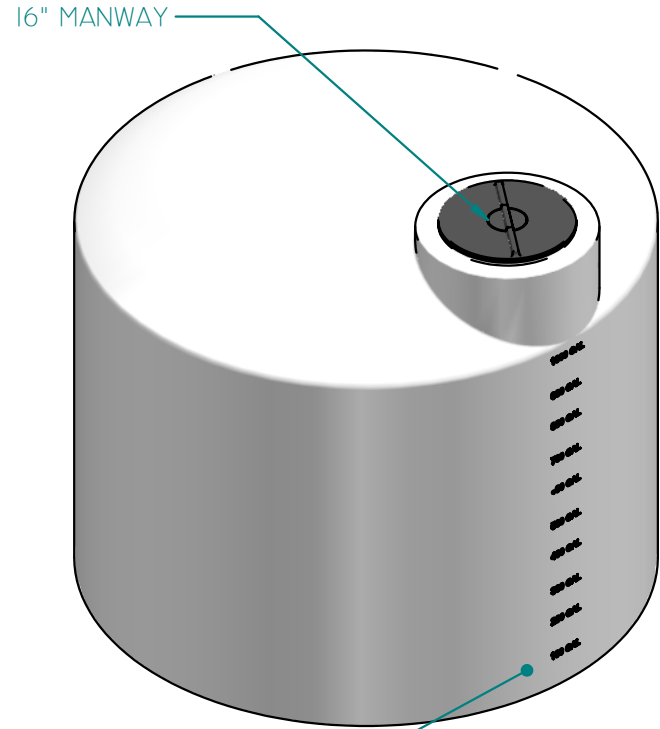
REVISION HISTORY			
REV	DESCRIPTION	DATE	APPROVED



TOP VIEW



SIDE VIEW



TANK IS CALIBRATED
IN 100 GAL INCREMENTS

ISO VIEW

WALL THICKNESS: 0.280"

MNEGRON	1/14/2005	

DURAWELD	
<i>Innovative Plastic Solutions</i>	
V-1200 GALLON TANK	
HDPE NATURAL (200)	
901200	224.994 LBM