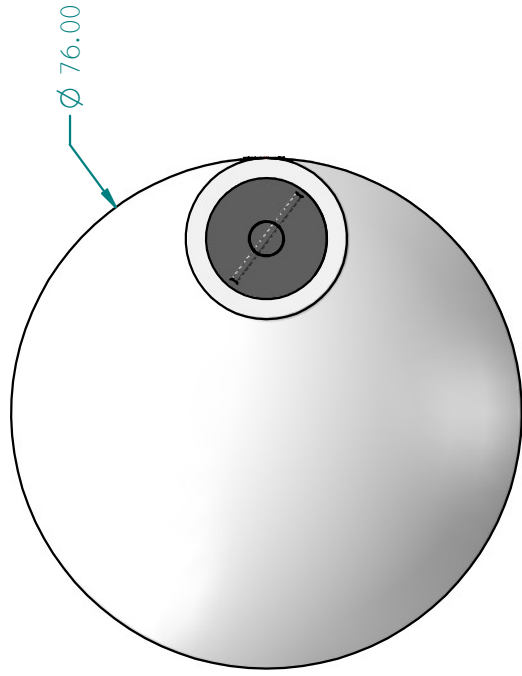
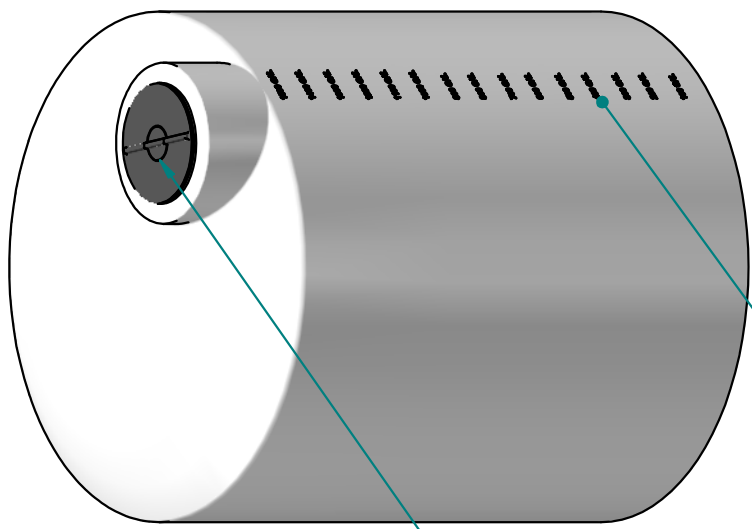


REVISION HISTORY

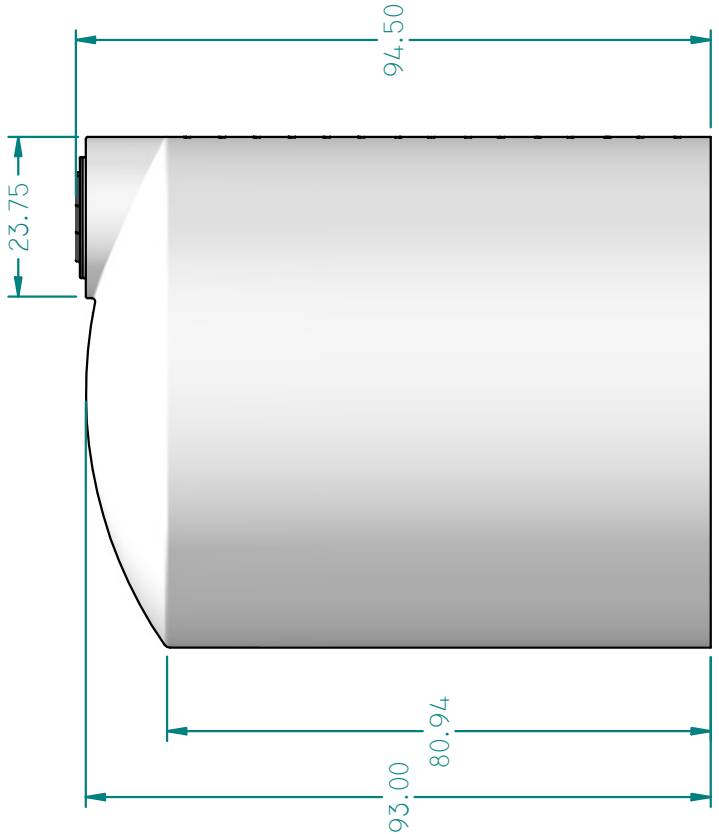
REV	DESCRIPTION	DATE	APPROVED



TOP VIEW



ISO VIEW



SIDE VIEW

WALL THICKNESS: 0.280"

NAME	DATE
DRAWN MNEGRON	12/13/2008
CHECKED	
ENG APPR	
MGR APPR	

UNLESS OTHERWISE SPECIFIED
DIMENSIONS ARE IN INCHES
ANGLES ±0.5°
2 PL ±0.125" 3 PL ±0.060"

TITLE	V-1700 GALLON TANK
SIZE	A
MATERIAL	LMDPE NATURAL (100)
REV	

FILE NAME: 901750.DFT

PART #: 901750 WEIGHT: 224.994 LBM