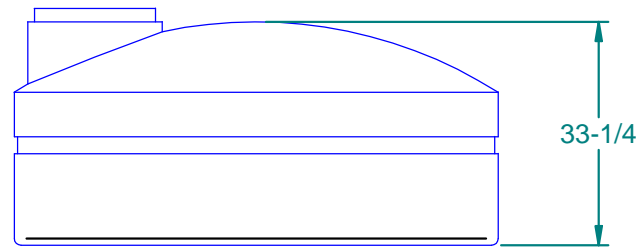
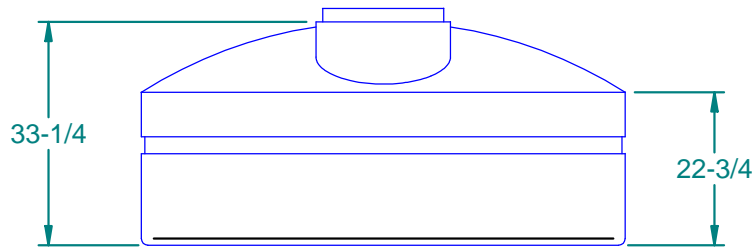
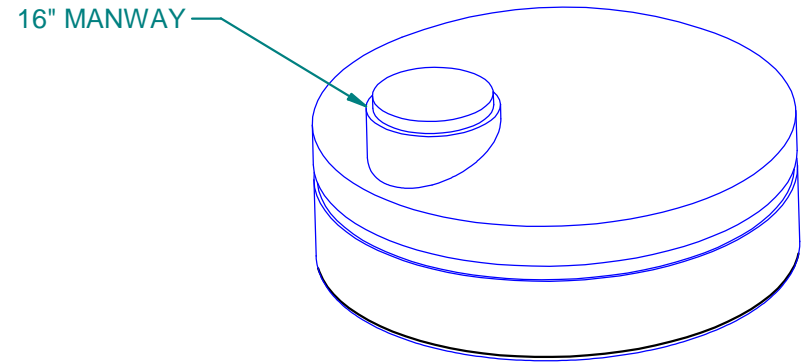
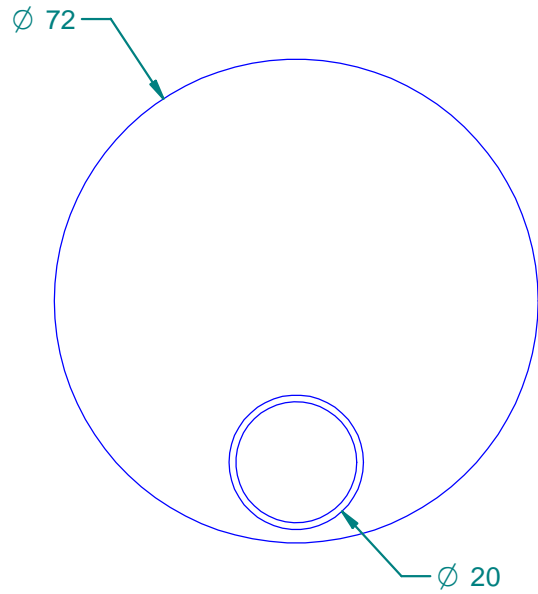



REVISION HISTORY

REV	DESCRIPTION	DATE	APPROVED	Revised By
A	Initial Design Release	5/8/2006		



Weight: N/A		NAME	DATE	 <i>Innovative Plastic Solutions</i> Dura-Cast Products, Inc. E-500 Gallon Vertical Tank V500 (910500).dft	
Wall Thickness: N/A	DRAWN By:	McConomy	5/8/2006		
Customer Part No: N/A	Customer APPR				
Print Date: 9/18/2007	MFG APPR				
Comments:	Tolerance: UNLESS OTHERWISE SPECIFIED DIMENSIONS ARE IN INCHES ±1% Std Radii 3/16"		Material: Polyethylene, LMDPE 8460 A		Rev: A
			910500	I OF I	